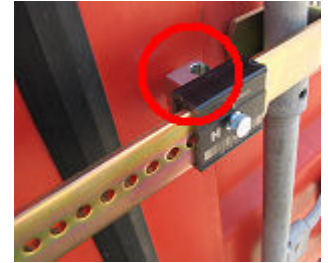


ONESEAL HAIR-PIN 2000K

(Reusable container lock)



ONESEAL HP2000K Barrier seal in hardened steel with key padlock

Hair-Pin 2000K is the most secure heavy duty barrier seal for protection of cargo transported in containers or trailers. Tampering of seals and container door handles is eliminated by use of the OneSeal Hair-Pin 2000K and removal is only possible with an electric cutting device or with a key.

Features

The only surface hardened steel barrier seal consisting of only 2 parts plus pin and padlock for locking.

Keys can be provided with identical codes for special purposes.

Breaking load of more than 3.5 tons. Can be applied on all ISO container types.

Company logo/name is engraved by use of high technology laser engraving which prevents tampering.

The seal is marked with bar code as standard.

The seal cannot be removed by bolt cutter or cut by hack saw due to the hardened steel surface.

Weight & Dimensions:

Type	Weight	Min. length	Max. Length	Width	Height	m ³
HP2000K	2.32 kg	19.6 cm	40.6 cm	0.6 cm	5.3 cm	N/A
5 pcs box	11.96 kg	N/A	35.0 cm	24.0 cm	7.0 cm	0.00588 m ³
Padlock only	0.8 kg	-	-	-	-	-

Packing: 5 pieces per box which is also the minimum order.

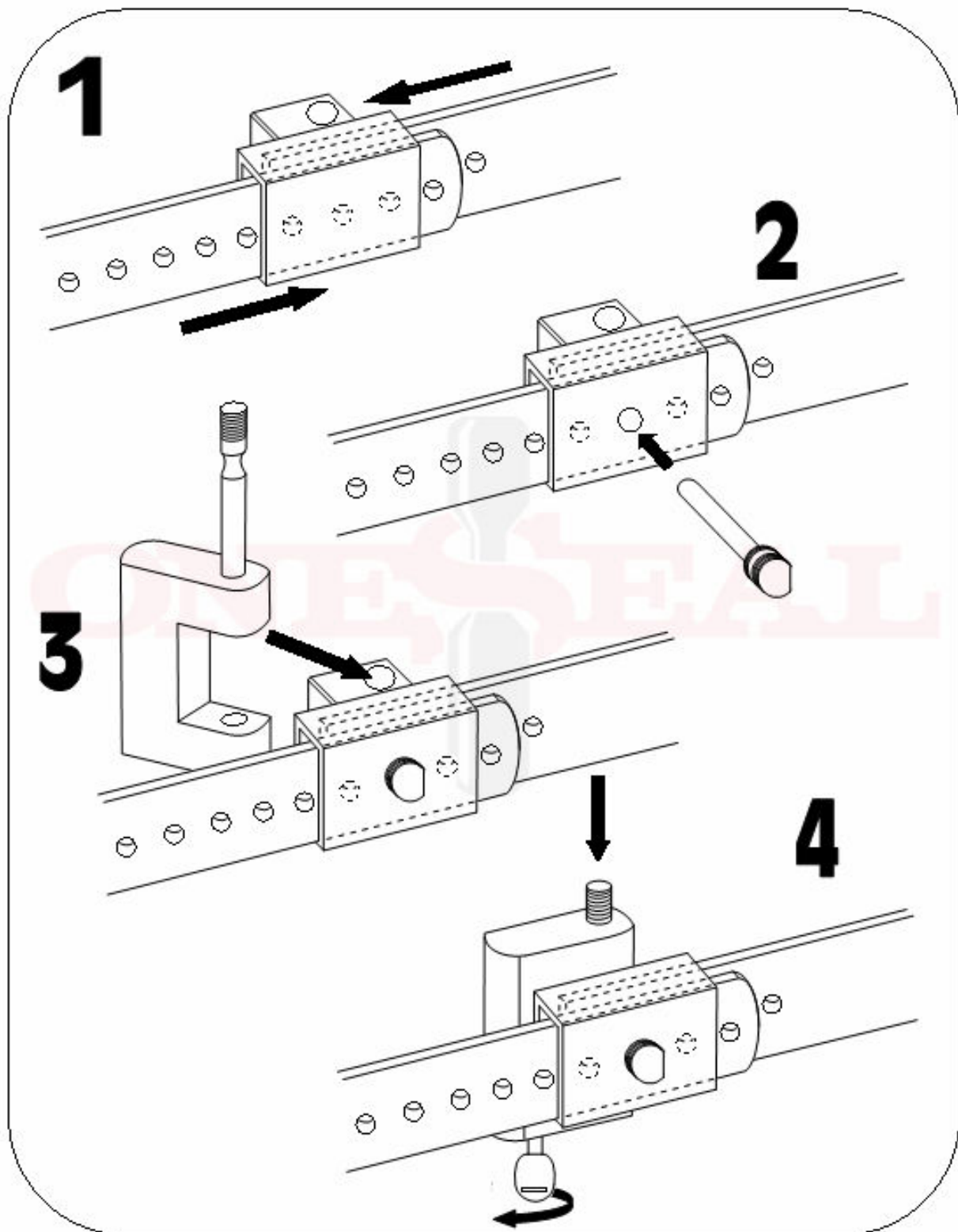
Delivery time: 4 days + transport time (marked "ONESEAL")
2 weeks + transport time (own preferred marking)

Security seals – a small important detail in shipping - provided by OneSeal an ISO 9001 certified company.

OneSeal A/S Vibe Alle 2 DK-2980 Kokkedal Denmark	Phone: +45 49 14 88 00 Fax: +45 49 14 88 14 E-mail: oneseal@oneseal.com Internet: www.oneSeal.com	OneSeal USA 500 Matrix Parkway Piedmont, SC 29 673 United States Of America	Phone + 1 (973) 599 11 55 Fax + 1 (973) 599 11 66 Email: oneseal@onesealusa.com Internet: www.oneSealusa.com
--	--	---	---

HP 2000K Instruction

ISO PAS 17712 HIGH SECURITY



OneSeal A/S
Vibe Alle 2
DK-2980 Kokkedal
Denmark

Phone: +45 49 14 88 00
Fax: +45 49 14 88 14
E-mail: oneseal@oneseal.com
Internet: www.one-seal.com

OneSeal USA
500 Matrix Parkway
Piedmont, SC 29 673
United States Of America

Phone + 1 (973) 599 11 55
Fax + 1 (973) 599 11 66
Email: oneseal@onesealusa.com
Internet: www.one-sealusa.com