

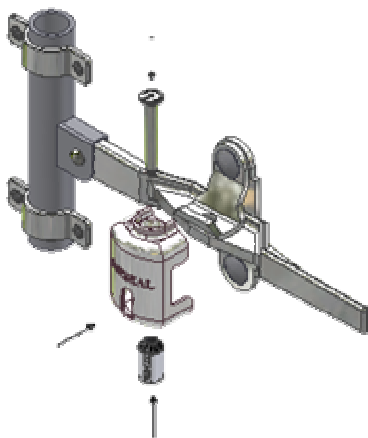
TwoSeal

TwoSeal - the ultimate protection for high value cargo transported in containers or trailers.

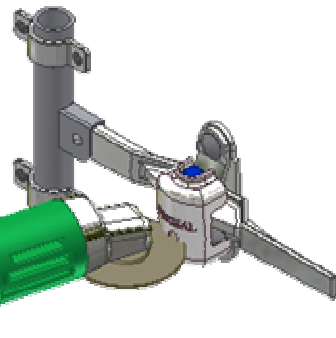
The TwoSeal offers the best security available and provides the same security as a traditional barrier seal, but at a much more affordable price. Tampering of seal and container door handles are eliminated by use of the TwoSeal. Removal is only possible with an electrical cutting device such as a disc cutter.



Specifications



- User friendly product consisting of only 2 parts : The TwoSeal made from metal and a high security bolt seal made from surface hardened metal
- Easy to apply on all ISO container types either at the right side container door hasp or at the secure cam hasp in the centre at the lower bottom of the container
- Easy to register the seal number through a window area in the TwoSeal.
- A heavy duty device - Breaking load of more than 2.0 tons
- Fully in compliance with C-TPAT as well as ISO 17712 classified as High Security Seal.
- Removal only by an electrical cutting device.
- Minimum of waste material after removal.



Weight and dimensions:

	Weight	Length	Height	Width	m ³
TwoSeal (incl. HSS seal)	0.42 kg	5.8 cm	8.5 cm	4.2 cm	N/A
20 pcs. in each box	4.6 kg	39 cm	9.0 cm	9.0 cm	0.03m ³

Packing: 20 pieces per box (minimum quantity)

Delivery time: 6 days + time of transportation